

# SG

Series

# Smart Speed Gate

Verifying facial database



**klacci**<sup>®</sup>  
life unlocked.



**klacci**<sup>®</sup>  
life unlocked.

**klaccki**<sup>®</sup>  
life unlocked.

**SG**

Series

Smart Speed Gate

# Contents

<b>Introduction</b> . . . . .	<b>1</b>
<b>Smart Access Control with Efficiency and Safety in Mind</b> . . . . .	<b>4</b>
<b>With smart readers</b> . . . . .	<b>5</b>
<b>Product Options</b> . . . . .	<b>7</b>
PFB-Z2358. . . . .	9
PFB-Z2689A. . . . .	10
PFB-X7078-L . . . . .	11
PFB-Z1118. . . . .	12
PFB-Z1248. . . . .	13
PFB-DB256 . . . . .	14
PFB-Z2588. . . . .	15
iF+RUH Readers . . . . .	16
<b>About Klacci</b> . . . . .	<b>17</b>
<b>Project References</b> . . . . .	<b>19</b>

# Introduction

## **AI intelligence improves the efficiency of fast access creates a safe and secure travel experience**

As modern urbanization continues, the demand for public transportation is increasing, thus providing a faster and safer access experience is becoming more important. A smart and efficient speed gate access system is particularly important in the challenge of traffic congestion during peak hours.

KLACCI's SG series introduces new innovative technologies to the speed gate system. With the SG series, it allows users to complete their identity verification through multiple authentication methods such as mobile phones, facial recognition, ultra-wideband (UWB), etc. even before they show up at the speed gate machine. This not only significantly reduces the access time, but also effectively disperses the crowds and avoids congestion. The SG series also provides contactless access experience while keeping both hygiene and health safety in mind.

In addition, this speed gate is also equipped with an alert system to prevent climbing and tailgating into upgrading the access control management to ensure the safety of everyone. The multiple authentication technologies not only improve the system's security but also satisfy the contactless and social distance preference from the users. Users enjoy a fast and seamless experience in their daily access.





London		Taipei		Tokyo	
湿度 HUMID 75.63%	温度 TEMP 29.38 °C	亮度 LUX 8 lux	甲醛 HCHO 0.03 ppm	臭氧 O3 0 ppm	
一氧化碳 CO 0 ppm	二氧化碳 CO2 427 ppm	挥发性有机化合物 TVOC 0.23 ppm	细颗粒物 PM2.5 2 µg/m³	总颗粒物 PM10 5 µg/m³	



# Smart Access Control with Efficiency and Safety in Mind

## Performance

- Effective crowd management during peak hours when there are large groups of people.
  - » Compatible with a wide range of card reader from different brands.
  - » QR code, Face Recognition, Ultra-wideband, and Palm Vein systems can be added as required.
- Supports standalone card reader recycling system for used cards collection and return of unauthorized cards.

## Safety

- Features a triple-layer anti-pinch safety mechanism.
  - » Infrared anti-pinch device: Detects crowd movement and provides real-time monitoring of machine operation and access conditions.
  - » Mechanical anti-pinch safety mechanism: The gate bounces back automatically upon contact with obstacles.
  - » Tailgating prevention mechanism: Upon detecting an attempt to tailgate or reverse access, the gate closes automatically and triggers a warning to alerts the on-site personnel.

## Convenience

- Access indicator light: Integrated indicator lights to indicate the direction of access ensuring smooth access.
- Card access indicator light: System indicator light to confirm access when granted successfully.
- Illumination indicator light: The panel of the speed gate can be customized as optional requirement to conform with EU standards low-power lights to ensure adequate lighting in dark.
- Direction of access: The access direction can be configured by the system and sensor detection to prevent tailgate and reverse access.

## Flexibility

- Customized gate panel : The designs and styles of the gate panel can be customized according to requirements.
- Gate panel size adjustable: The height, and width of the gate panel can be customized to fit the size.
- Modularized base plate for door stopper: The door stopper base plate can be customized in length and width according to specific requirements. Temporary installation is also available with the removable option.

# With smart readers

A powerful combination of efficiency, convenience, security and flexibility.



Model : iF<sup>+</sup>RUH Readers

## Facial Recognition

- Liveness detection function which effectively prevents deception using photos or masks.
- Blacklist management and alarm system to enhance overall security protection.

## Ultra-wideband (UWB)

- By using high-frequency bandwidth and short pulse signals, the distance between devices can be accurately measured to the centimeter-level positioning. The strong anti-interference ability and can penetrate walls and obstacles to ensure stable and reliable positioning.
- UWB uses time-of-flight (TOF) technology, which is difficult to be forged or relayed.

## Palm vein

- Palm vein patterns are unique and stable with high recognition accuracy. Through infrared, the forgery rate of palm vein scanning is extremely low ensuring accurate and reliable identity verification.
- It effectively solves different problems which cause identity cannot be read, such as shallow fingerprints, skin peeling, sweaty hands or children and elder person unable to use fingerprint recognition.

## Card Access

- Proximity contactless verification time of less than 1 second, giving users the maximum speed to access with longer card reading distances.
- Administrators can quickly assign or delete authorization, and adjust for long-term or temporary authorization.
- Compliant with ISO14443A/B contactless proximity smart card protocol. Electronic keys are available in a variety of forms, such as key fobs.





**Facial Recognition**



**Palm vein**

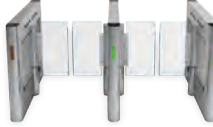

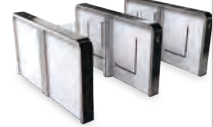


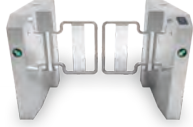
**Card Access**



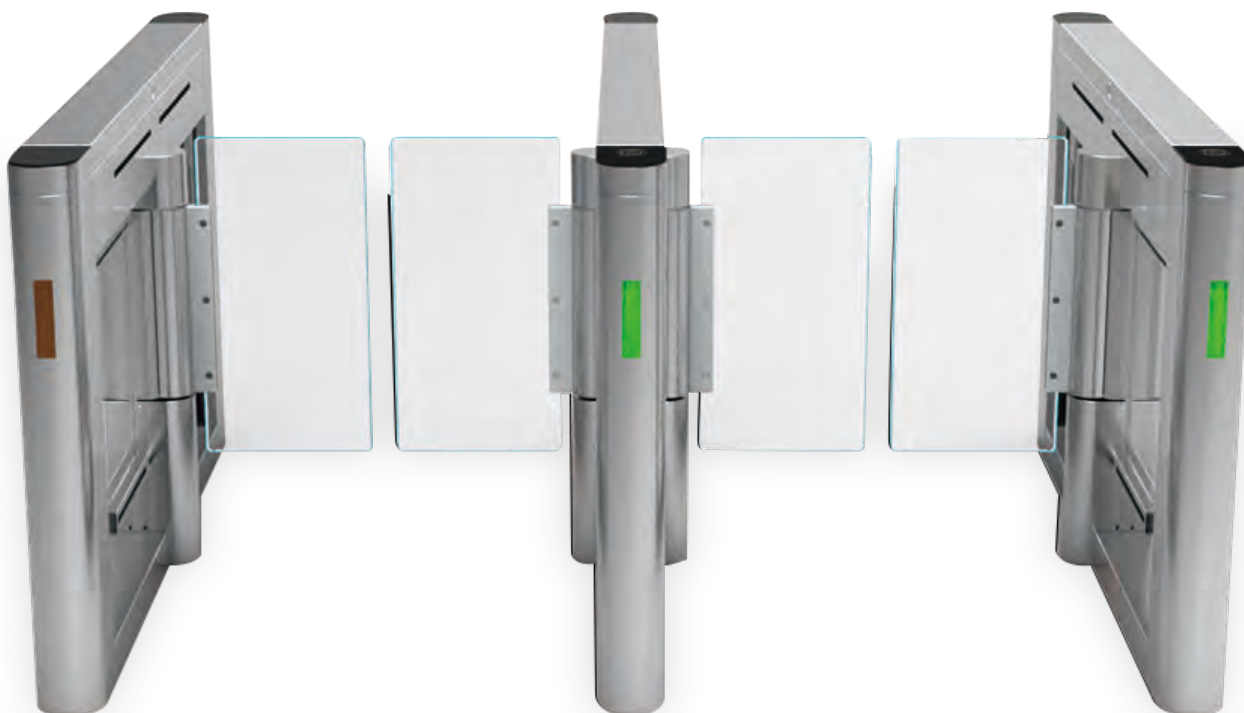
**Klaccki®**

# Product Options

		Swing Panel Speed Gate		
				
		PFB-Z2358	PFB-Z2689A	PFB-X7078-L
<b>Appearance</b>	The designs and styles of the gate panel can be customized according to requirements.	●	●	●
<b>Applicable</b>	Indoor	●	●	●
	Outdoor	●		
	Outdoor (canopy required)			
	Applications	Office building, Hotel, Dormitory, School		
<b>Access Status</b>	One-way	●	●	●
	Two-way	●	●	●
<b>Chassis</b>	One-way Chassis	●	●	●
	Two-way Chassis	●	●	●
	Customizable length	1200mm / 1600mm		●
<b>Access Equipment</b>	Supports IC and ID card readers from other manufacturers	●	●	
	Standalone Card Recycling System	●	●	●
	Customizable for card readers, QR Code, facial recognition systems, RFID card readers, and fingerprint recognition.	●	●	●
<b>Indicator Light</b>	Traffic Flow Direction Indicator Light	●	●	●
	Card Swipe Status Light	●	●	●
	Ambient Light Source	●	●	●
<b>Safety Protection</b>	The gate can be set to normally opened or normally closed			
	The gate automatically closes when reverse access is detected.	●	●	●
	UPS built-in. Gate barrier automatically retracts upon power failure.	●	●	●
	Supports ESD Device			
	Equipped with heightened anti-climb-over stops (1400mm).	●	●	●
	Equipped with anti-climb-over detection			
	The gate panel automatically returns to its original position after impact.			
	Triple anti-pinch technology: tailgating prevention, mechanical and infrared detection anti-pinch.	●	●	●
	Infrared or motor failure, Message alert sent			
	Failed safe. Gate returns to position when power is restored.	●	●	●
	Doors open when the fire system is activated and close when it is deactivated.	●	●	●
<b>Lease</b>	Leasing service	●		
<b>Repair</b>	Flip-up top cover design to prevent water penetration and easy disassembly for maintenance.	●		
<b>Waterproof</b>	The design is completely waterproof.			

Butterfly Wing Speed Gate		Outdoor Speed Gate	
			
<b>PFB-Z1118</b>	<b>PFB-Z1248</b>	<b>PFB-DB256</b>	<b>PFB-Z2588</b>
•	•	•	
•	•	•	•
•		•	•
	•		
Machinery room, Hospital controlled access area		Stations, Conventions, Marinas	
•	•	•	•
•	•	•	•
•	•	•	•
•	•	•	•
•		•	•
•		•	
•	•	•	•
•	•	•	•
•	•	•	•
•	•		•
		•	•
		•	
•	•	•	•
•	•	•	•
•	•	•	•
		•	
		•	•

# PFB-Z2358



<b>Material</b>	High-thickness stainless steel, galvanized steel, surface plastic-sprayed finish
<b>Width of Passageway</b>	600 - 900mm (Customizable length of 1200mm, with a maximum channel width of 700mm)
<b>Applicable for</b>	One-way or Two-way Access. Can be configured for dual motor or single motor chassis according to requirements.
<b>Working Environment</b>	Applicable for indoor and outdoor
<b>Working Temperature</b>	-30°C - 70°C
<b>Working Humidity</b>	≤95%
<b>Power</b>	AC110 / 220V±10% 60HZ
<b>Input</b>	Single Chassis60W / Dual Chassis 120W
<b>Motor</b>	Uses servo motor
<b>Access Speed</b>	30 people / minute
<b>Protocol</b>	RS485
<b>Dimensions</b>	1600mm x 116mm x 950mm (Minimum customizable length 1200mm x 116mm x 950mm)

# PFB-Z2689A



<b>Material</b>	Stainless steel, galvanized steel, surface plastic-sprayed finish
<b>Width of Passageway</b>	600mm / 700mm / 800mm / 900mm
<b>Applicable for</b>	One-way or Two-way Access. Can be configured for dual motor or single motor chassis according to requirements.
<b>Working Environment</b>	Indoor
<b>Working Temperature</b>	-30° C - 70° C
<b>Working Humidity</b>	≤90%
<b>Power</b>	AC110V / 220V (optional)
<b>Input</b>	300W
<b>Access Speed</b>	40-50 people / minute
<b>Protocol</b>	RS485 or TCP/IP
<b>Dimensions</b>	1500mm x 118mm x 980mm

# PFB-X7078-L



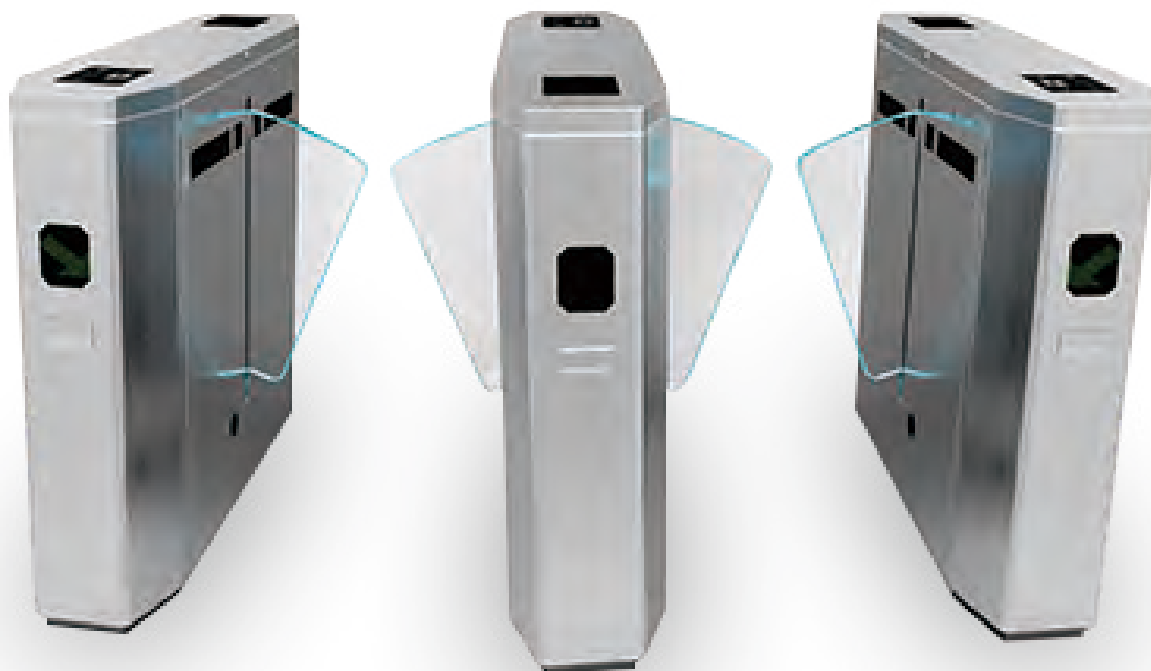
<b>Material</b>	Stainless steel, galvanized steel, surface plastic-sprayed finish
<b>Width of Passageway</b>	600mm / 900mm
<b>Working Environment</b>	Indoor
<b>Working Temperature</b>	-28°C ~ 60°C
<b>Working Humidity</b>	≤90%
<b>Power</b>	AC110V / 220V (optional)
<b>Input</b>	250W
<b>Access Speed</b>	30-35 people/minute
<b>Protocol</b>	RS485 or Dry contact
<b>Dimensions</b>	1400mm x 140mm x 955mm

# PFB-Z1118



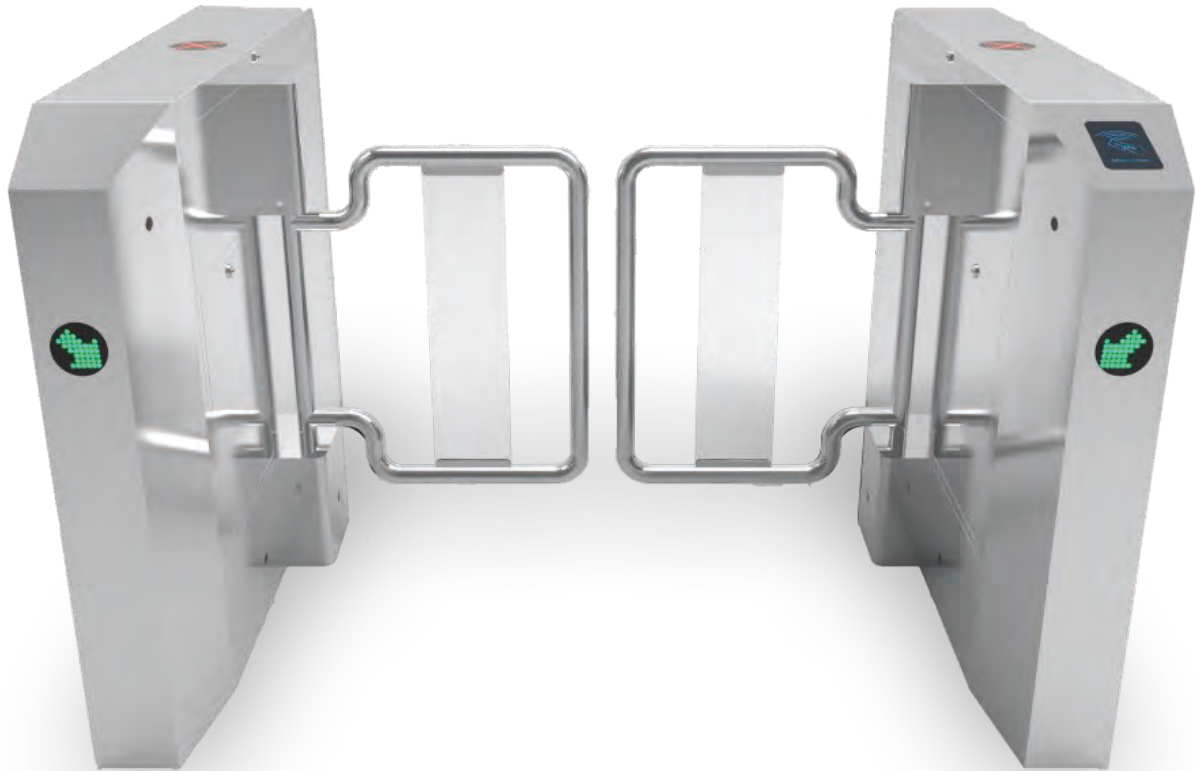
<b>Material</b>	Stainless steel, galvanized steel, surface plastic-sprayed finish
<b>Width of Passageway</b>	500 ~ 550mm
<b>Working Environment</b>	Applicable for indoor and outdoor
<b>Working Temperature</b>	-30°C ~ 70°C
<b>Working Humidity</b>	≤95%
<b>Power</b>	AC220V±10% 60Hz
<b>Input</b>	Single Chassis 50W / Dual Chassis100W
<b>Access Speed</b>	40 people/minute
<b>Protocol</b>	RS485 or TCP/IP
<b>Dimensions</b>	1400mm x 280mm x 980mm

# PFB-Z1248



<b>Material</b>	Stainless steel, galvanized steel, surface plastic-sprayed finish
<b>Width of Passageway</b>	500 ~ 550mm
<b>Applicable for</b>	One-way / Two-way Access. Can be configured for dual motor or single motor chassis according to requirements.
<b>Working Environment</b>	Indoor and semi-outdoor (Canopy required)
<b>Working Temperature</b>	-30°C ~ 70°C
<b>Working Humidity</b>	≤95%
<b>Power</b>	AC110V / 220V (optional)
<b>Input</b>	Single Chassis 50W / Dual Chassis100W
<b>Access Speed</b>	40 people/minute
<b>Protocol</b>	RS485
<b>Dimensions</b>	1400mm x 280mm x 950mm

# PFB-DB256



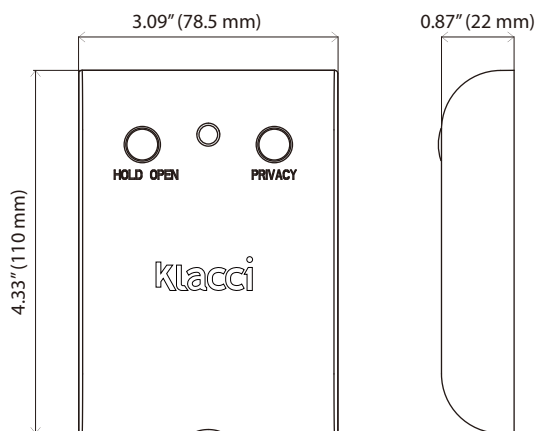
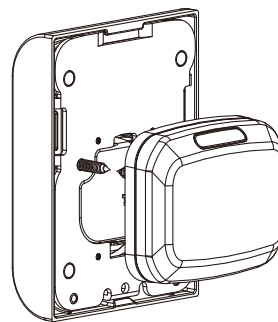
<b>Material</b>	Stainless steel, galvanized steel, surface plastic-sprayed finish
<b>Width of Passageway</b>	600mm ~ 900mm
<b>Applicable for</b>	One-way or Two-way Access. Can be configured for dual motor or single motor chassis according to requirements.
<b>Working Environment</b>	Applicable for indoor and outdoor
<b>Working Humidity</b>	≤95% / -20°C ~ 50°C
<b>Power</b>	AC110 or 220V±10%
<b>Motor</b>	Brushless Motor (Single Chassis 60W / Dual Chassis 120W)
<b>Access Speed</b>	40 people/minute
<b>Protocol</b>	RS485 or RS232
<b>Dimensions</b>	1400mm x 200mm x 980mm

# PFB-Z2588

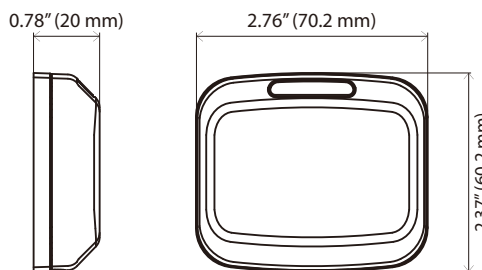


<b>Material</b>	304Stainless steel, surface plastic-sprayed finish
<b>Width of Passageway</b>	600mm / 700mm / 800mm / 900mm / 1000mm / 1200mm (Customizable)
<b>Applicable for</b>	One-way or Two-way Access. Can be configured for dual motor or single motor chassis according to requirements.
<b>Working Environment</b>	Applicable for indoor and outdoor
<b>Working Temperature</b>	-20°C ~ 70°C
<b>Working Humidity</b>	≤95%
<b>Power</b>	AC110V±10% 60Hz
<b>Motor</b>	Brushless DC Motor
<b>Average Product Life Cycle</b>	10 million cycles
<b>Input</b>	100W (One-way channel)
<b>Access Speed</b>	20 people/minute
<b>Protocol</b>	RS485 or TCP/IP
<b>Dimensions</b>	1600mm x 200mm x 980mm

# iF+RUH Readers



Inside view



Outside view

## Control Module Introduction

### Control terminal socket

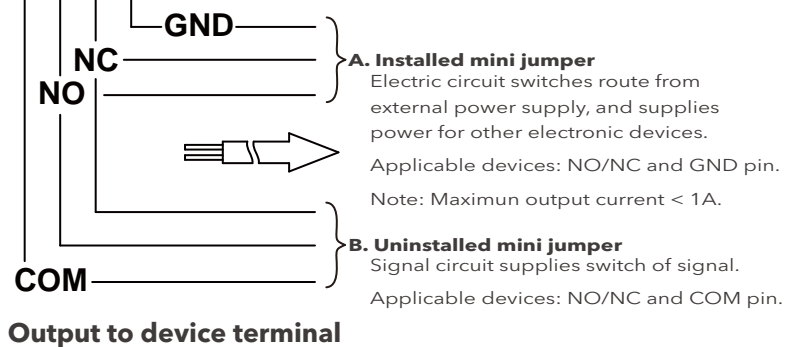
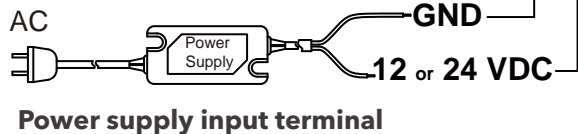
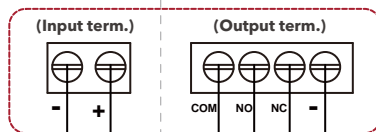
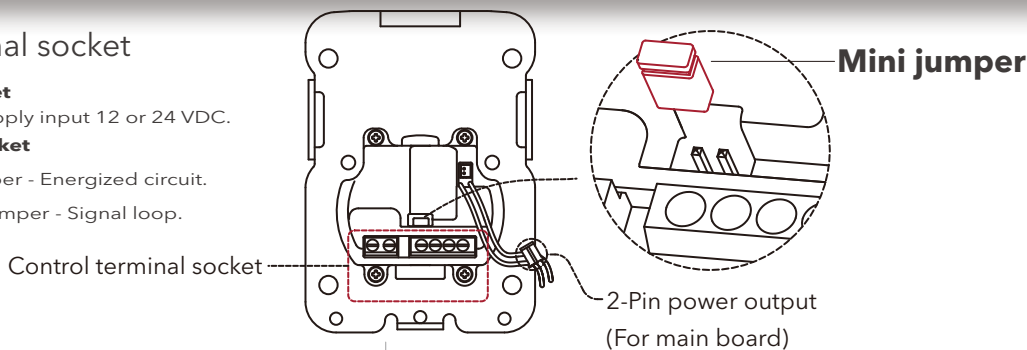
#### Input terminal socket

External power supply input 12 or 24 VDC.

#### Output terminal socket

Installed mini jumper - Energized circuit.

Uninstalled mini jumper - Signal loop.



# About Klacci

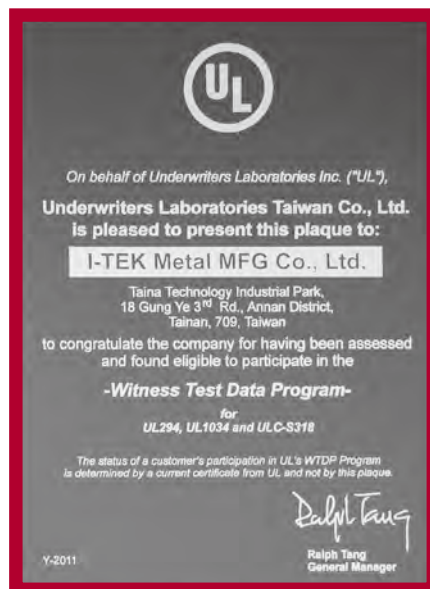
Klacci, a registered brand of the world-renowned I-TEK Company, provides the commercial and residential markets with second to none access control and lock products. The company offers an extensive selection of mechanical, electrical, and biometric locks that reflect the demands of today's modern lifestyle.

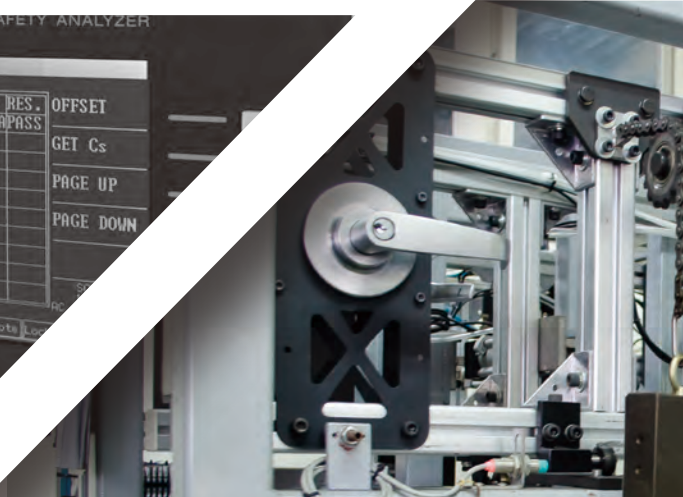
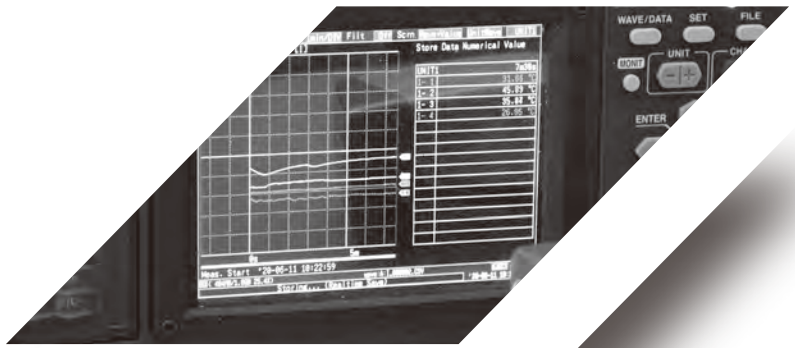
Klacci's drive for design excellence and innovation is only matched by I-TEK's manufacturing expertise which spans more than six decades.

## Safety and Security

Klacci, a registered member of the Builders Hardware Manufacturers Association (BHMA), possesses an Intertek certified and ISO17025 compliance laboratory within its facility, one of the few in Asia.

Before our products are sold and installed, our laboratory performs various and rigorous testing procedures to make sure all our products meet and exceed the minimum requirements that are specified and meet the respective standards of ANSI/BHMA, UL, ASTM, etc.





# Project References

Projects	Locations
Commercial Buildings at Raha Beach	Saudi Arabia
Glorietta 1 BPO (Commercial Building)	Makati City, The Philippines
Glorietta 2 BPO (Commercial Building)	Makati City, The Philippines
Starmall BPO Las Pinas (Commercial Building)	Las Pinas City, The Philippines
The Business Center (Commercial Building)	Pasig City, The Philippines
Taylor University Dormitory	Indiana, USA
NCKU, Department of Aeronautics	Tainan, Taiwan
NCKU, Department of Aeronautics (iF+ Series Bi-System Touchless Smart Lock	Taipei, Taiwan
Saudi Electricity Co. (SEC)	Jeddah, Saudi Arabia
Saudi Electricity Co. (SEC)	Dammam, Saudi Arabia
Saudi Electricity Co. (SEC)	Ras-Al Khair, Saudi Arabia
Saudi Electricity Co. (SEC)	Riyadh, Saudi Arabia
Saudi Electricity Co. (SEC)	Khafji, Saudi Arabia
Saudi Electricity Co. (SEC)	Juyamah, Saudi Arabia
Saudi Electricity Co. (SEC)	Uqair, Saudi Arabia
Saudi Electricity Co. (SEC)	Shedgum, Saudi Arabia
Sub-station buildings - Saudi Electricity Co	Saudi Arabia
Power Plants	Saudi Arabia
Texas Department of Transportation	Texas, USA
NASA	USA
BANK OF HAWAII HEADQUARTERS	Guam, USA
Saudi Aramco	Rabigh, Saudi Arabia
Saudi Defense Department	Saudi Arabia
NATIONAL HISTORY MUSEUM	Saudi Arabia
Lab building	Saudi Arabia
Okinawa Military Base	Japan
Camp Fuji	Japan
AGC	Japan
The 3rd Precinct	Tainan, Taiwan
Kaohsiung Rapid Transit	Kaohsiungm, Taiwan
Hotel/Private/Public Project	USA, Canada, Europe, Australia, The Philippines, Macau, Vietnam, Bangladesh
Ambulatory Clinic Jebel Hafeet (Clinic Center)	Saudi Arabia
Cordoba (Phase 1) (Residential Building)	Saudi Arabia
THE RESIDENCE LAGOS 11 (Residential Building)	Saudi Arabia
Hospital Project	Saudi Arabia
Saudi Entertainment Ventures	Saudi Arabia
Petro Rabigh chemical plant - Rabigh	Saudi Arabia
R&D Building-Dhahran Techno Valley	Saudi Arabia

## Projects

City of Dream Hotel

The Venetian Hotel

LG Science Park

Apple Store

Holiday Inn Makati

Park Inn Hotel Davao

Daewoo Amara Hotel

Nan Shan Building

National Taiwan University Hospital

Hotspring Hotel

Central Taiwan Science Park Dormitory

Southern Taiwan Science Park Project (STSP)

Park Dream Housing in Kaohsiung

Al Quwaieyah Mall, KSA(Shopping Mall)

Starmall Bataan (Shopping Mall)

Robinson's General Trias (Shopping Mall)

Robinson's Ilocos (Shopping Mall)

Robinson's Tacloban (Shopping Mall)

Glorietta 1 (Shopping Mall)

Glorietta 2 (Shopping Mall)

Ayala Ceneter Cebu (Shopping Mall)

Fairview Terraces (Shopping Mall)

Shanghai Power Plant

African Government Printing Presses

Chip Data Center

I-TEK Metal Manufacturing Co., Ltd.

National Kaohsiung Normal University

Taipei Songshan International Airport

## Locations

Macau

Macau

Korea

Korea

Makati City, The Philippines

Davao City, The Philippines

Yangon, Myanmar

Taipei, Taiwan

Taipei, Taiwan

Taichung, Taiwan

Taichung, Taiwan

Tainan, Taiwan

Kaohsiungm, Taiwan

Saudi Arabia

Bataan, The Philippines

General Trias, Cavite, The Philippines

Ilocos, The Philippines

Tacloban City, The Philippines

Makati City, The Philippines

Makati City, The Philippines

Cebu City, The Philippines

Fairview, Quezon City, The Philippines

Shanghai City, China

South Africa

Tainan, Taiwan

Kaohsiung, Taiwan

Taipei, Taiwan



**klacci**<sup>®</sup>  
life unlocked.



[www.klacci.com](http://www.klacci.com)



### Headquarters and Operation Office

#### I-TEK Metal Manufacturing Co., Ltd.

📍 18 Gungye 3rd Road, Annan,  
Tainan 70955, Taiwan. 

**T** 886 6 3840722

**F** 886 6 3840715

**E** [sd.klacci@gmail.com](mailto:sd.klacci@gmail.com)

[sd@klacci.com](mailto:sd@klacci.com)

[sd@iteklock.com.tw](mailto:sd@iteklock.com.tw)

### Global Office

#### KLACCI Inc.

📍 California, USA

📍 Nevada, USA

**T** +1 (720) 675-5677

**E** [sd@klacci.com](mailto:sd@klacci.com)

[sd.klacci@gmail.com](mailto:sd.klacci@gmail.com)

This product is covered by one or more patents.  
Copyright© 2025 I-TEK Metal Manufacturing. All rights reserved.  
Subject to change without notice. 202506(A60a1BF-05-00-03)